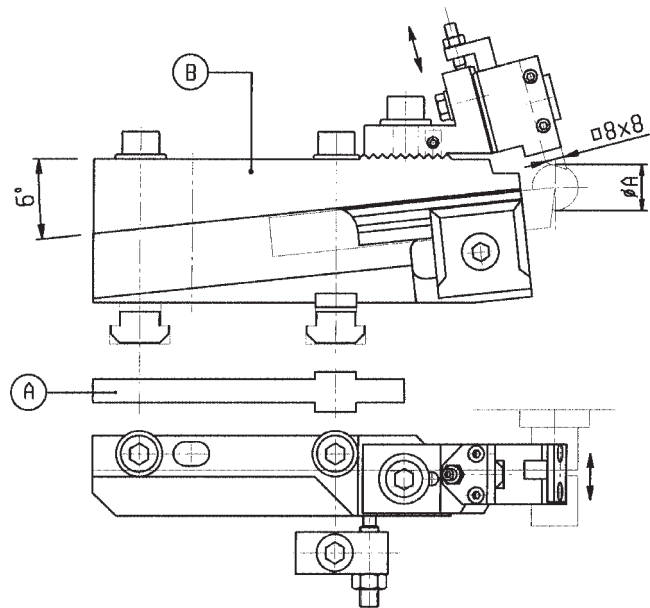


Tangential-Drehwerkzeug



Wickman

Modell	A	B	Klemmstück (D)	Empire-Klinge
1"	---	806300 + Ø A max. = 24	802604	PM-3-N-866 (17 x 1.6)
			802605	PM-3-N-866-2 (17 x 2)
			802602	PM-3-N (17 x 2.5)
			802603	PM-3 (17 x 3)
1" 3/4 1" 3/8	807502	807500 + Ø A max. = 38	802604	PM-3-N-866 (17 x 1.6)
			802605	PM-3-N-866-2 (17 x 2)
			802602	PM-3-N (17 x 2.5)
			802603	PM-3 (17 x 3)

Gildemeister

Modell	A	B	Klemmstück (D)	Empire-Klinge
AS 32 GM 32	805608	805600 + Ø A max. = 24	802604	PM-3-N-866 (17 x 1.6)
			802605	PM-3-N-866-2 (17 x 2)
			802602	PM-3-N (17 x 2.5)
			802603	PM-3 (17 x 3)
AS 40 AS 48	805607	805600 + Ø A max. = 24	802604	PM-3-N-866 (17 x 1.6)
			802605	PM-3-N-866-2 (17 x 2)
			802602	PM-3-N (17 x 2.5)
			802603	PM-3 (17 x 3)

Schütte

Modell	A	B	Klemmstück (D)	Empire-Klinge
SE 16 SF 20 SF 26L	805608	805600 + Ø A max. = 24	802604	PM-3-N-866 (17 x 1.6)
			802605	PM-3-N-866-2 (17 x 2)
			802602	PM-3-N (17 x 2.5)
			802603	PM-3 (17 x 3)
SE 25 SD 32 SF 42 SF 51	805607	805600 + Ø A max. = 24	802604	PM-3-N-866 (17 x 1.6)
			802605	PM-3-N-866-2 (17 x 2)
			802602	PM-3-N (17 x 2.5)
			802603	PM-3 (17 x 3)

Mori Say

Modell	A	B	Klemmstück (D)	Empire-Klinge
6 / 25 6 / 32 6 / 42M	808900	805600 + Ø A max. = 24	802604	PM-3-N-866 (17 x 1.6)
			802605	PM-3-N-866-2 (17 x 2)
			802602	PM-3-N (17 x 2.5)
			802603	PM-3 (17 x 3)